

LED Step Lights

MODEL RD12-6LED



WARNING

WARNING — THE INSTALLATION MUST BE CARRIED OUT BY A QUALIFIED ELECTRICIAN.

1. LED Step Lights are suitable for using in wet locations
2. Please keep the LED Step Lights away from any corrosive substance, and please use dry cloth when you clean them
3. LED Step Lights can only be installed by a qualified electrician
4. Before installation or maintenance, please disconnect the power to prevent electric shock

CAUTION

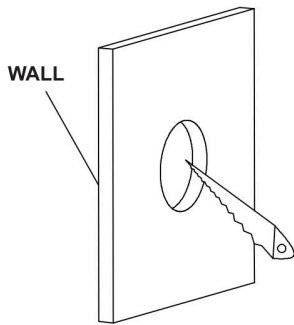
PLEASE READ INSTRUCTION BEFORE COMMENCING INSTALLATION AND RETAIN FOR FUTURE REFERENCES.

Electrical products can cause death or injury, or damage to property.

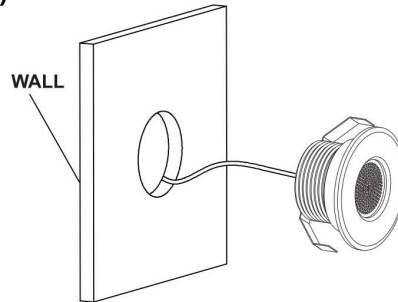
If in any doubt about the installation or use of this product, consult a competent electrician.

INSTALLATION GUIDE

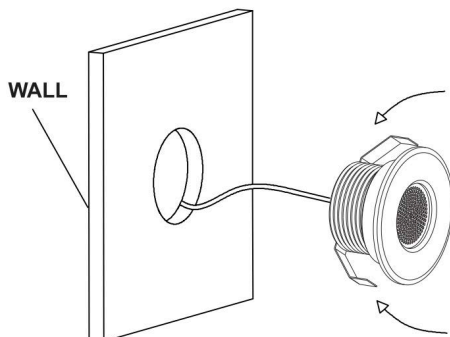
1)



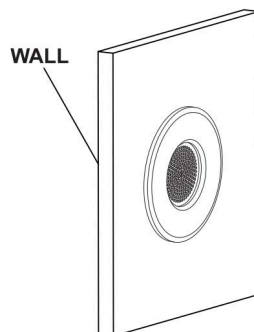
2)



3)



4)



- 1) Cut a hole on the wall (size: 1-5/16")
- 2) Put the ring on the lamp, then connect the wires
- 3) Push the lamp into the hole on the wall
- 4) Installation is complete!

ORTECH reserves the right to modify at any time, without notice, any or all of our product's features, designs, components and specifications to meet market changes.