

MODEL DISC-RG2



WARNING

WARNING — THE INSTALLATION MUST BE CARRIED OUT BY A QUALIFIED ELECTRICIAN.

1. LED Slim Lights are suitable for indoor use only. DO NOT use outdoors
2. Please keep the LED Slim Lights away from any corrosive substance, and please use dry cloth when you clean them
3. LED Slim Lights can only be installed by a qualified electrician
4. Before installation or maintenance, please disconnect the power to prevent electric shock

Application Notice

For your safety, this fixture MUST be wired in accordance to electrical codes and ordinances

CAUTION

PLEASE READ INSTRUCTION BEFORE COMMENCING INSTALLATION AND RETAIN FOR FUTURE REFERENCES.

Electrical products can cause death or injury, or damage to property.

If in any doubt about the installation or use of this product, consult a competent electrician.

INSTALLATION GUIDE

Tools Required

- Saw
- Measuring Tape
- Electrical Wiring (use type and gauge suitable for application to connect the fixtures)

Pre-installation

1. Turn power OFF from the electrical panel before starting installation
2. Locate a suitable position to plate the fixture and open in accordance to the cut-hole dimensions (refer to HOLE CUT SIZE TABLE below for appropriate size)
3. Run electrical wire from the switch (power supply) through the mounting hole — use NMD90 Romex or BX cable

Hole Cut Size (Cutout Size) for 2" Slim Gimbal Lights
Ø 2-9/16" (65 mm)

Driver Wiring

1. Open the hardwire box swing cover and remove the appropriate knockout(s)
2. Insert the electrical supply cable through the knockout and secure with a cable connector (sold separately)
3. Using wire nuts, connect GREEN ground wire of cable to GREEN wire on box. Connect WHITE wire of cable to WHITE wire of box. Connect BLACK wire of cable to BLACK wire of box (see Fig.1 on the right)
4. Place all wiring and connections back into the box and close the cover
5. Insert hardwire box through the mounting hole (see Fig.2 on the right).

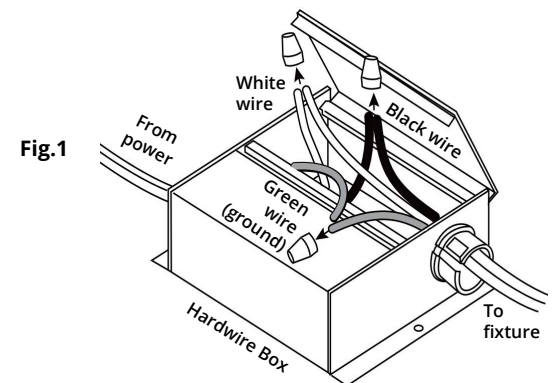


Fig.1

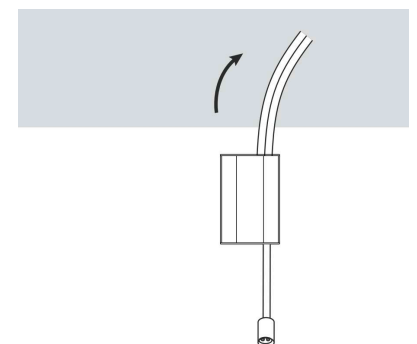


Fig.2

New Construction Applications:

Hardwire box shall be firmly secured after the mounting plates, studs, joists, or structural units have been concealed.

Remodel Applications:

DO NOT require the hardwire box to be firmly secured after the mounting plates, studs, joists, or structural units have been concealed.

INSTALLATION GUIDE

Fig.3

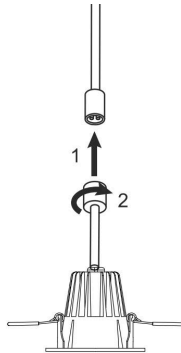
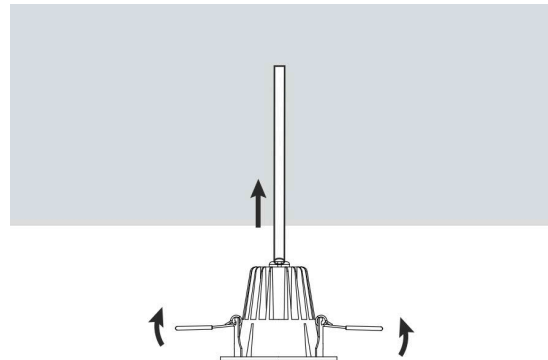


Fig.4



Fixture Installation

1. Connect the fixture to the hardwire box by inserting and twisting the male / female connectors (see Fig.3 above)
2. Push spring loaded clips on the fixture upwards and insert fixture base into the mounting hole.
Release the clips and fixture will be pulled flush to the ceiling (see Fig.4 above)
3. Once assembly is complete, turn ON power to confirm that fixture is working properly

Compatible Dimmers Table (ORTECH)

Model	Description
DMD-ELV	Single pole 3-way dimmers

Compatible Dimmers Table (other companies)

Brand	Family	Model
LUTRON	SKYLARK CONTOUR	CTCL-153P
		DVCL-153PDH
		CT-600P
LEVITON	DIVA	DVCL-153P
	DECORA	6672
PASS & SEYMOUR	HARMONY	6674
		HCL453PTCCCV6

Compatible Mounting Plates (ORTECH)

Model	Description
PLATE2-HB	Mounting Plates for ORTECH 2" Slim Lights
PLATE26-2	New Construction Plates for ORTECH 2" Slim Lights