

LED Architectural Strip Light

MODEL 2ALS-3CCT+W | 4ALS-3CCT+W | 8ALS-3CCT+W

WARNING



WARNING — THE INSTALLATION MUST BE CARRIED OUT BY A QUALIFIED ELECTRICIAN.

1. LED Strip lights are suitable for using in dry and damp locations
2. Please keep the LED Strip lights away from any corrosive substance, and please use dry cloth when you clean it.
3. LED Strip lights can only be installed by a qualified electrician
4. Before installation or maintenance, please disconnect the power to prevent electric shock
5. DO NOT cover fixture with insulation liner Or similar material.



CAUTION

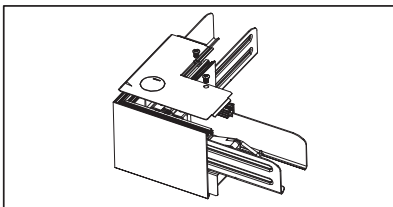
PLEASE READ INSTRUCTION BEFORE COMMENCING INSTALLATION AND RETAIN FOR FUTURE REFERENCES.

Electrical products can cause death or injury, or damage to property.

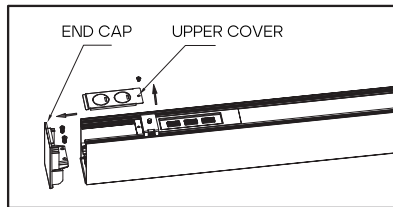
If in any doubt about the installation or use of this product, consult a competent electrician.

L-CONN INSTALLATION

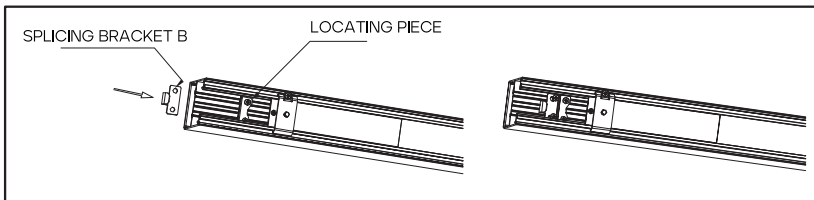
1. Remove the cover from the L-Connector.



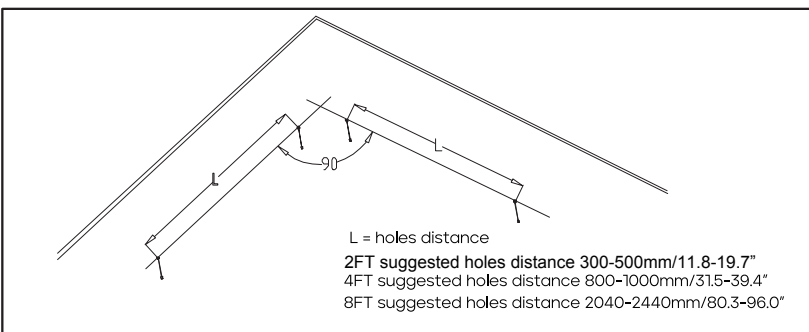
2. Remove the end cap and upper cover from fixture.



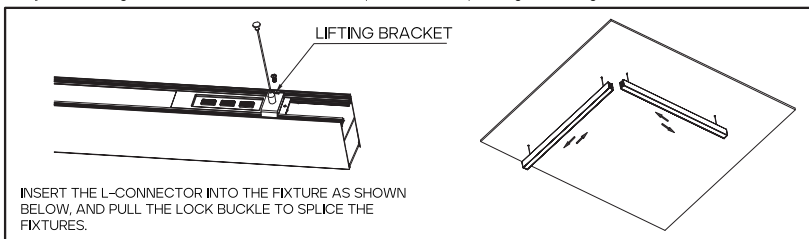
3. Slide the splicing bracket B into locating piece, then loci it with screws.



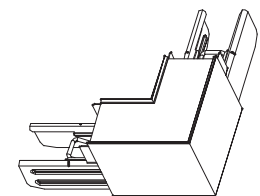
4. Make the mounting marks on the ceiling for fixtures, please refer to pendant mounting for suspending the fixture.



5. Adjust the lifting bracket in the fixture to a suitable position for suspending and linking.



BOX CONTENTS



L-CONNECTOR

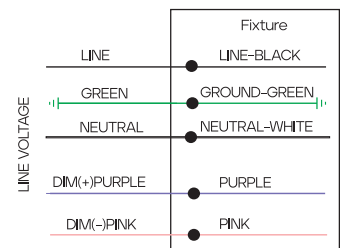


SCREWS



SPLICING BRACKET B

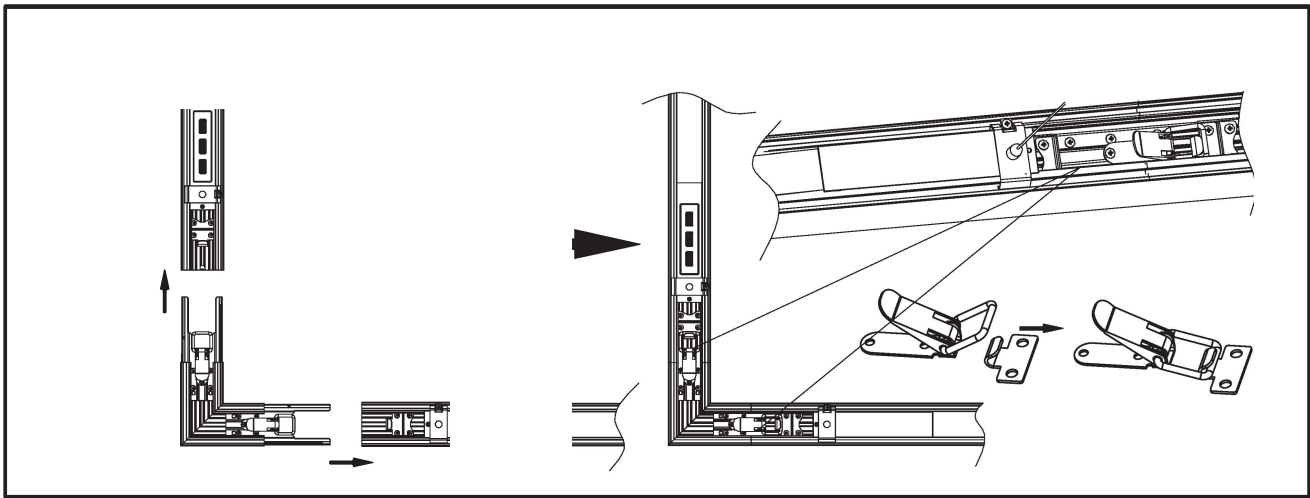
WIRING



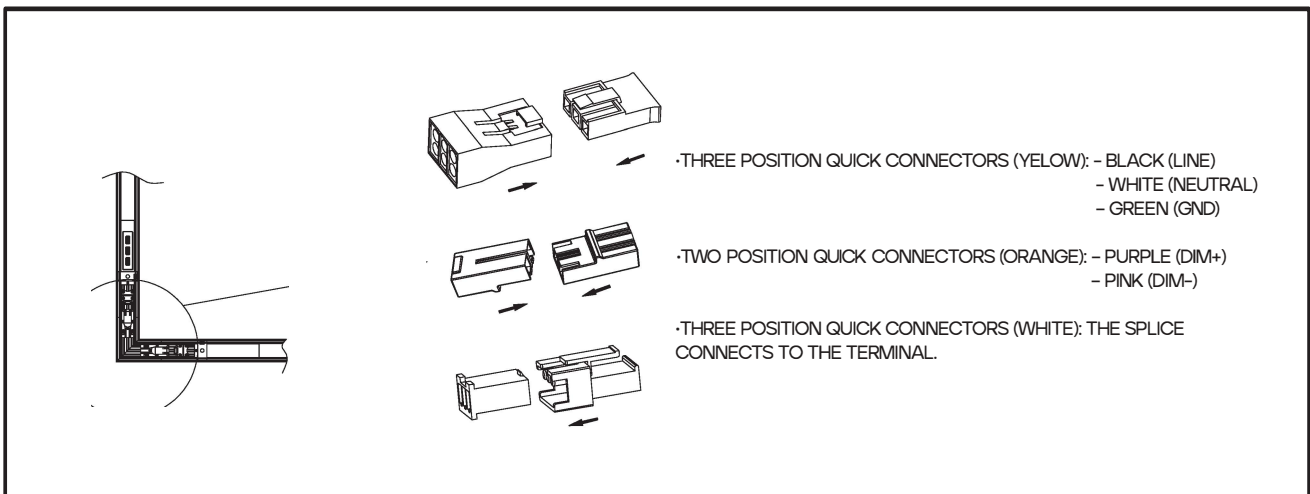
1. If dimming is not used, please separate the dimming wires with nuts.
2. Wiring must follow up the wiring diagram.
3. Remind again: Cut off the power supply before operation.

L-CONN INSTALLATION

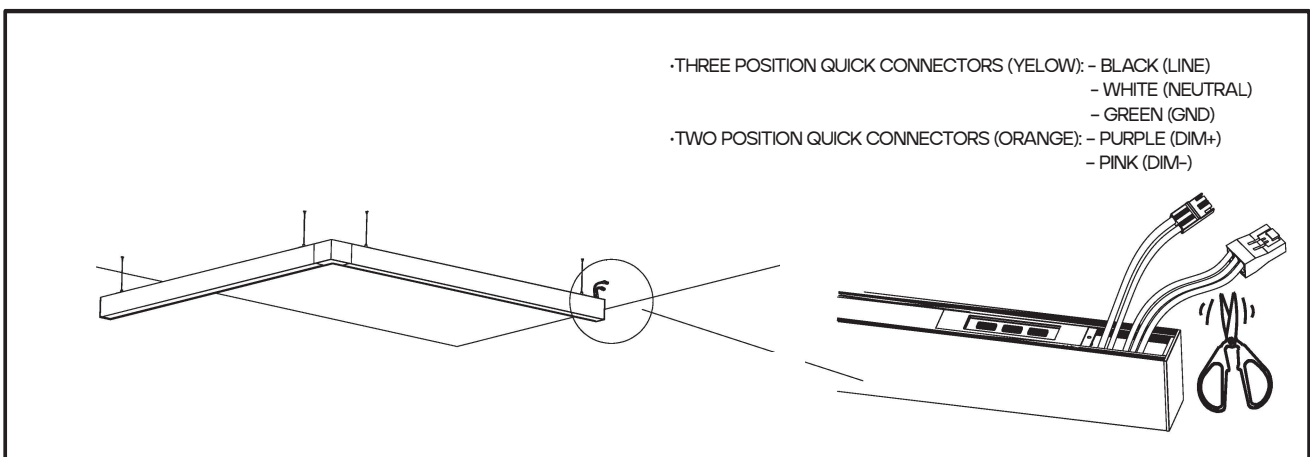
6. Insert the L-Connector into the fixtures as shown below, and pull the lock buckle to splice fixtures.



7. Make electrical connection of fixture and X-Connector with male-female connectors.

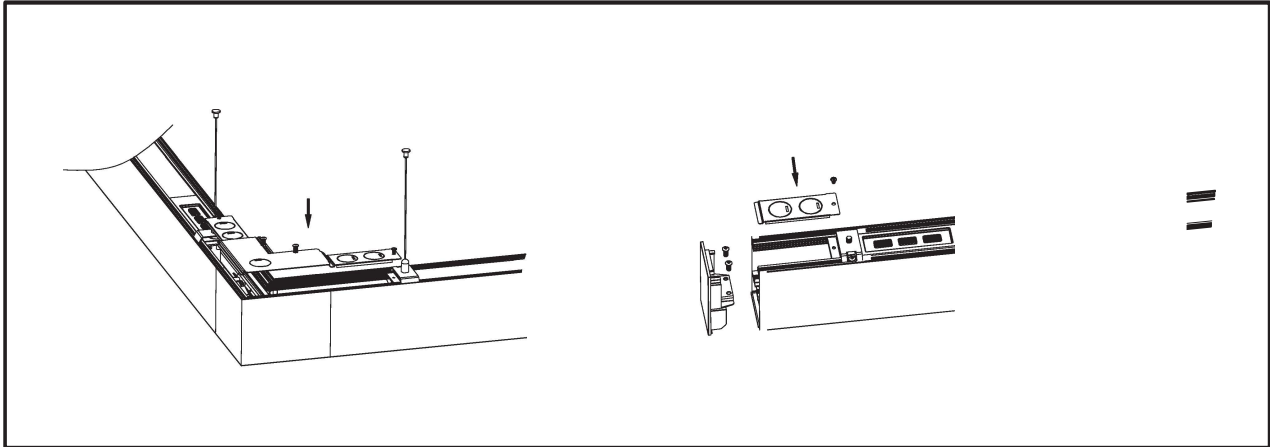


8. Cut off the connectors in one of the ends for wiring to line voltage.

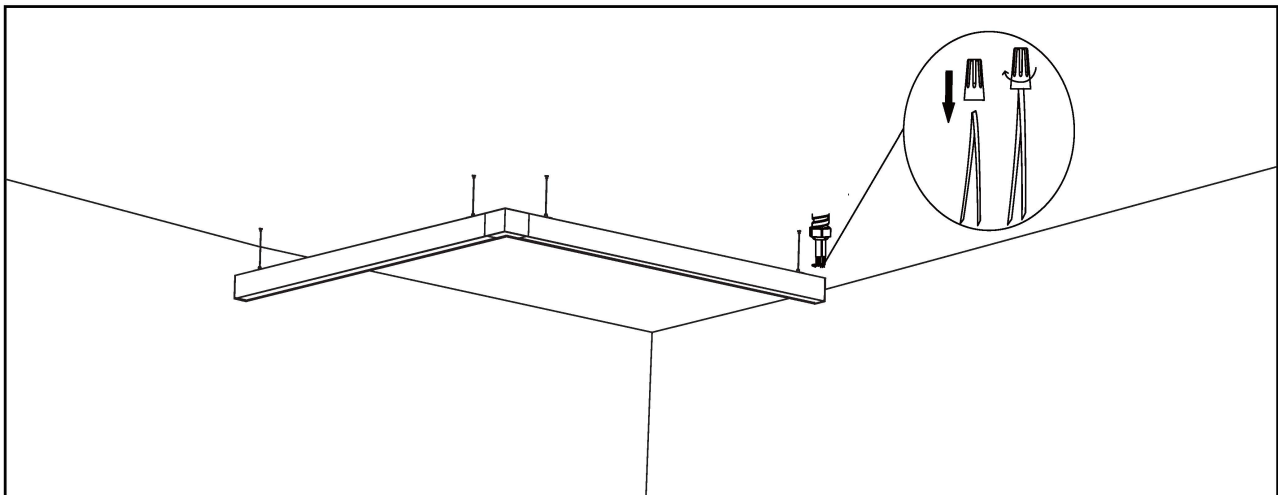


L-CONN INSTALLATION

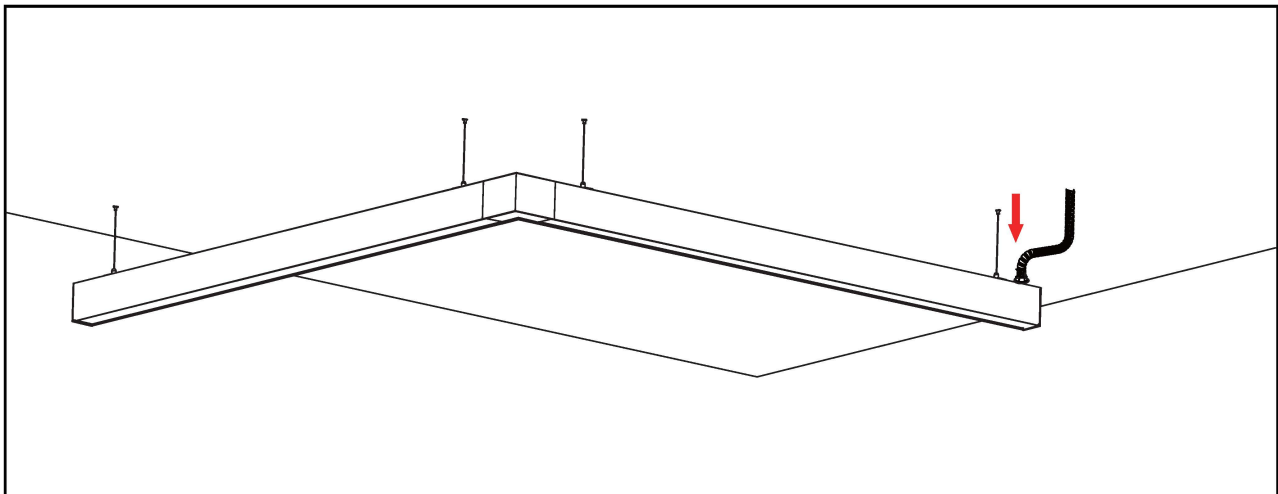
9. Screw back the cover of L-Connector, lock back the fixture upper cover, lock back the other end of fixture upper cover.



10. Wire fixtures according to wiring diagram.



11. Installation complete.

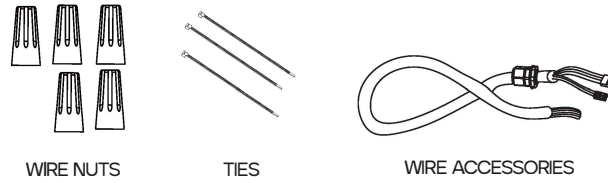


L-CONN INSTALLATION

WIRING

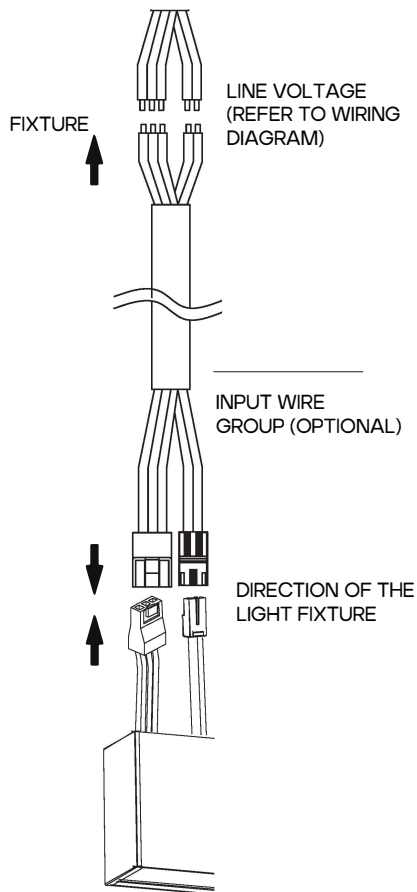
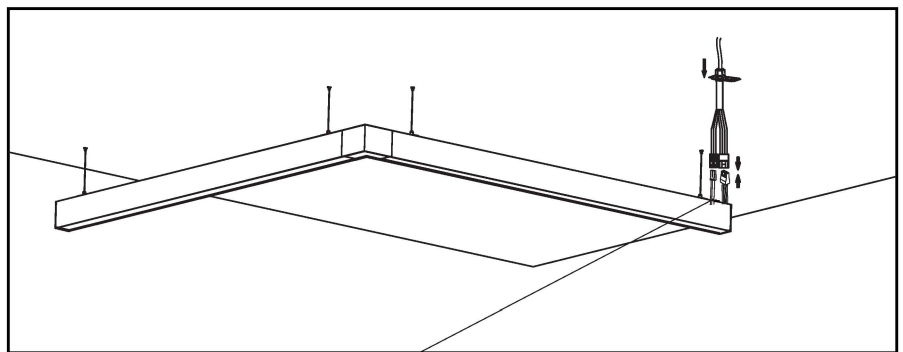
		Fixture	
LINE	●	LINE-BLACK	
GREEN	●	GROUND-GREEN	⊕
NEUTRAL	●	NEUTRAL-WHITE	
Line Voltage			
DIM(+)-PURPLE	●	PURPLE	
DIM(-)-PINK	●	PINK	

INPUT WIRING GROUP (OPTIONAL)



1. Wire according to the wiring diagram on the left for completion.

1. If dimming is not used, please separate the dimming wires with nuts.
2. Wiring must follow up the wiring diagram.
3. Remind again: Cut off the power supply before operation



THREE TERMINALS: NEUTRAL WIRE, LIVE WIRE, GROUND WIRE.
TWO TERMINAL: DIM+ (PURPLE), DIM- (PINK)

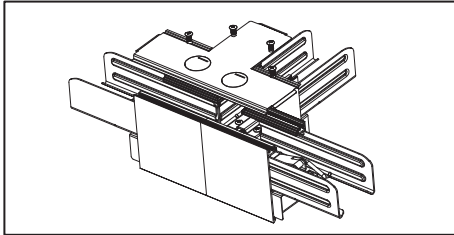
LED Architectural Strip Light

MODEL 2ALS-3CCT+W | 4ALS-3CCT+W | 8ALS-3CCT+W

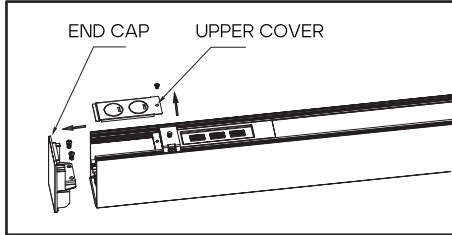
T-CONN INSTALLATION

INSTRUCTIONS

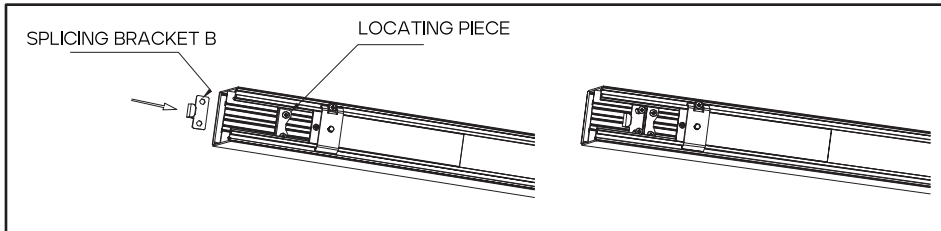
1. Remove the cover from the T-Connector.



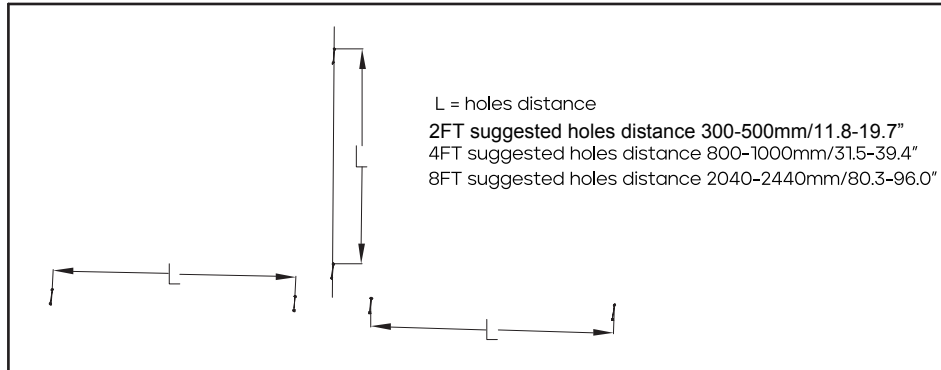
2. Remove the end cap and upper cover from fixture.



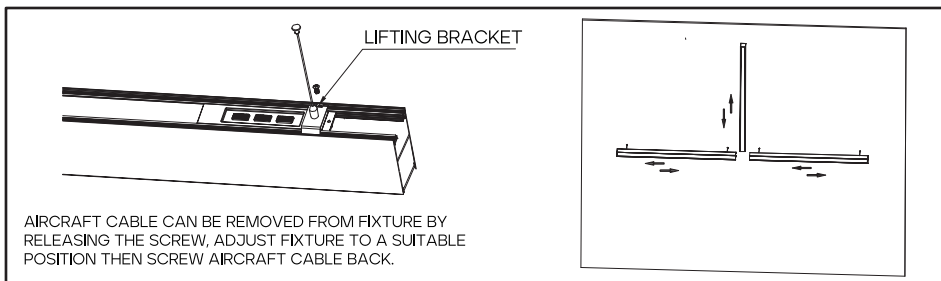
3. Slide the splicing bracket B into locating piece, then loci it with screws.



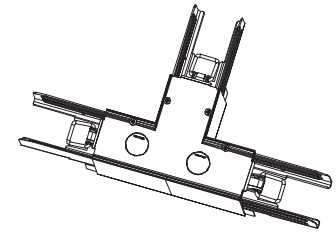
4. Make the mounting marks on the ceiling for fixtures, please refer to pendant mounting for suspending the fixture.



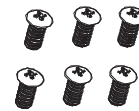
5. Adjust the lifting bracket in the fixture to a suitable position for suspending and linking.



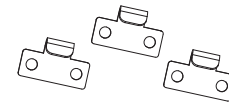
BOX CONTENTS



T-CONNECTOR

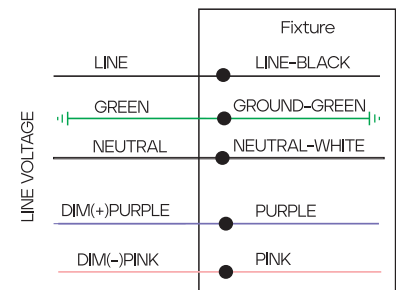


SCREWS



SPLICING BRACKET B

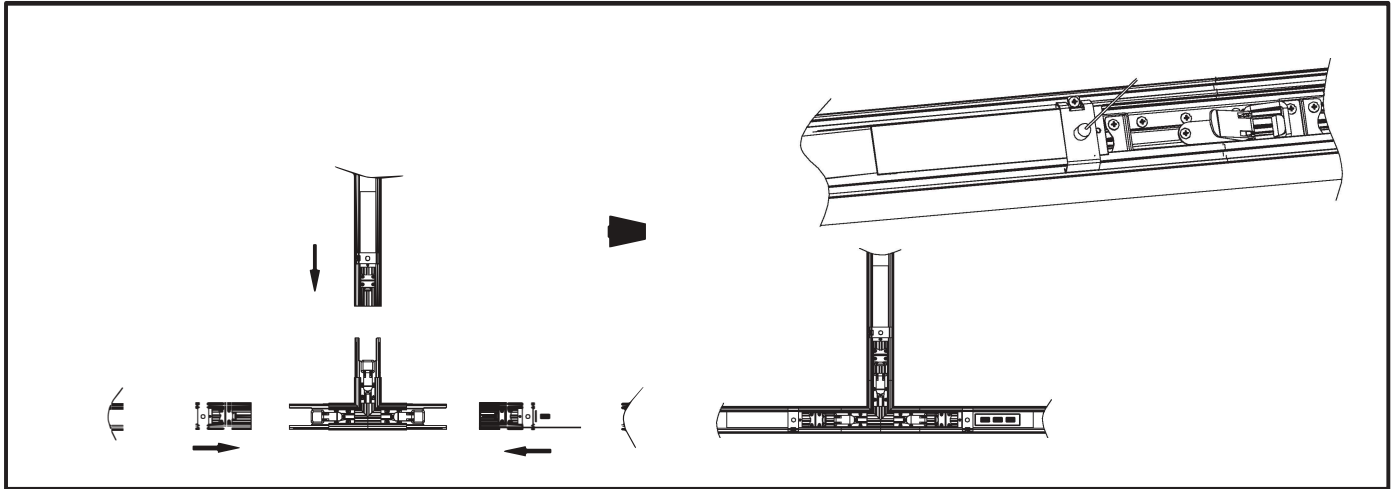
WIRING



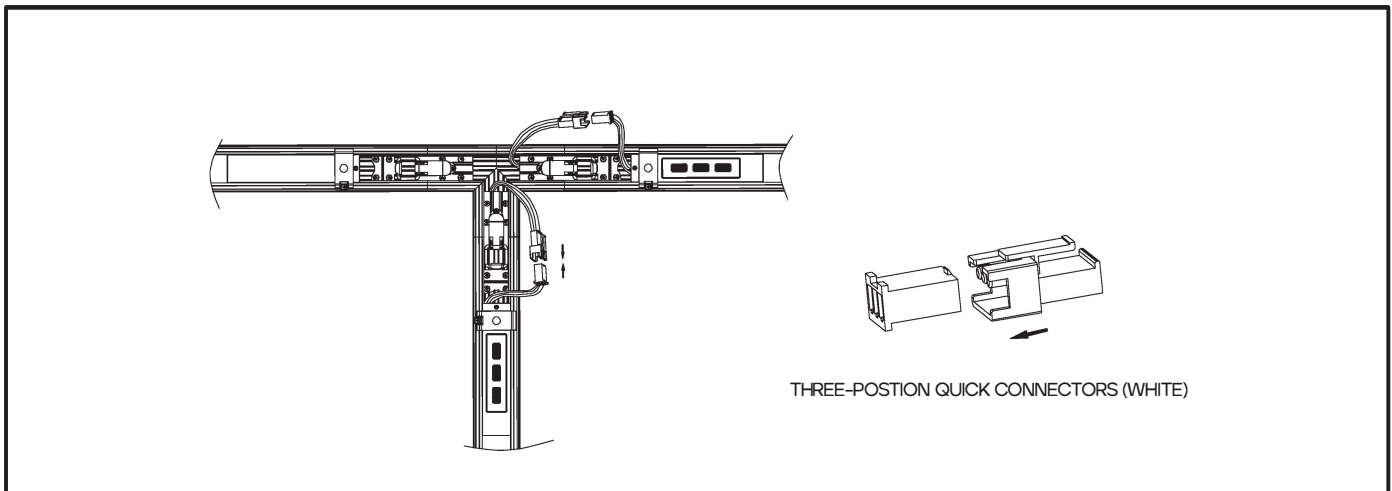
1. If dimming is not used, please separate the dimming wires with nuts.
2. Wiring must follow up the wiring diagram.
3. Remind again: Cut off the power supply before operation.

T-CONN INSTALLATION

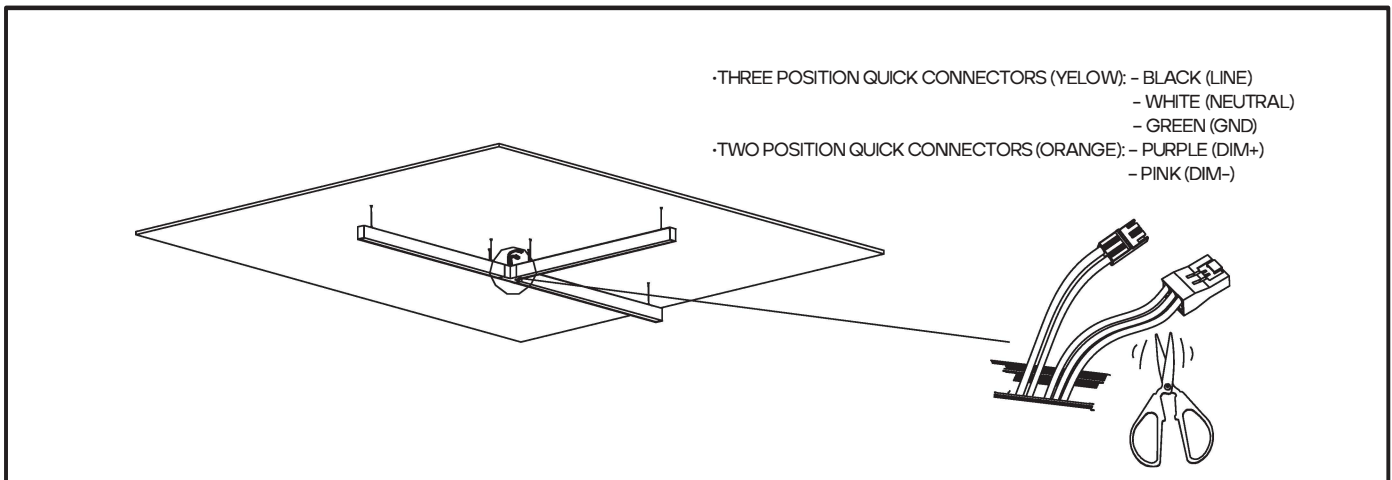
6. Insert the L-Connector into the fixtures as shown below, and pull the lock buckle to splice fixtures.



7. Make electrical connection of fixture and T-Connector with male-female connectors.

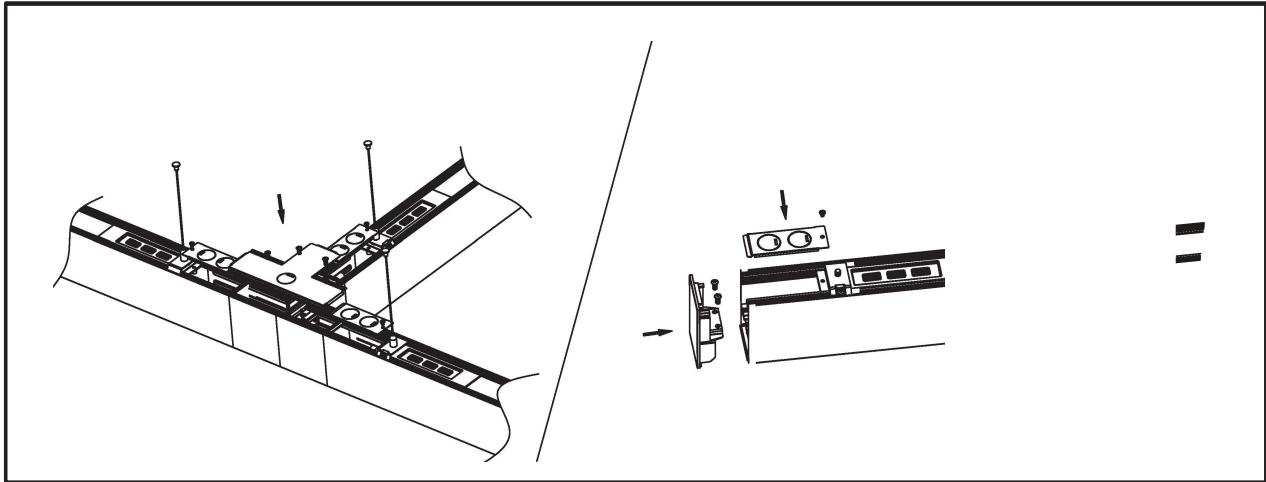


8. Cut off the connectors in one of the ends for wiring to line voltage.

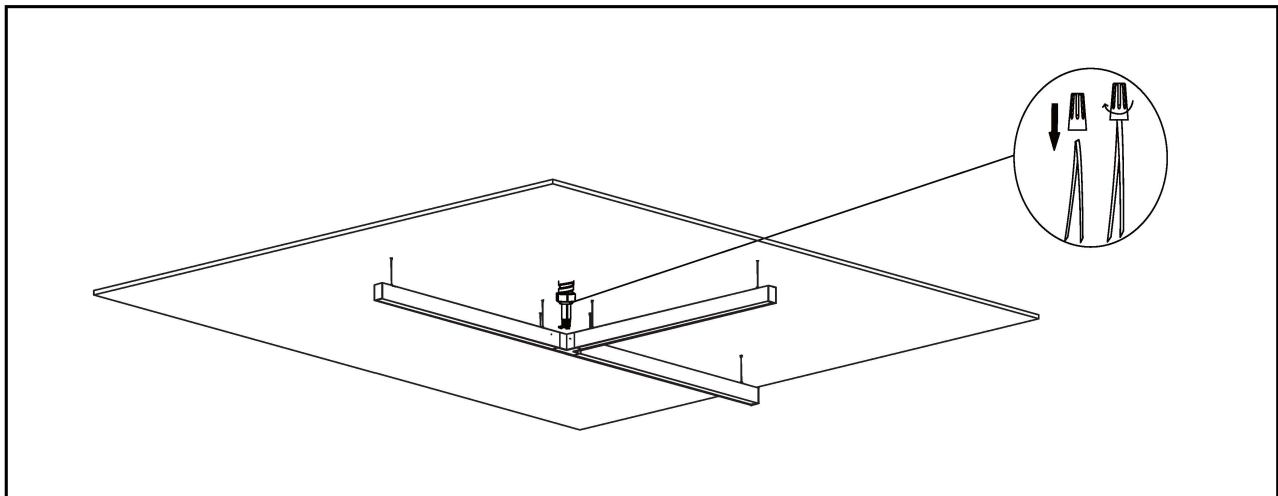


T-CONN INSTALLATION

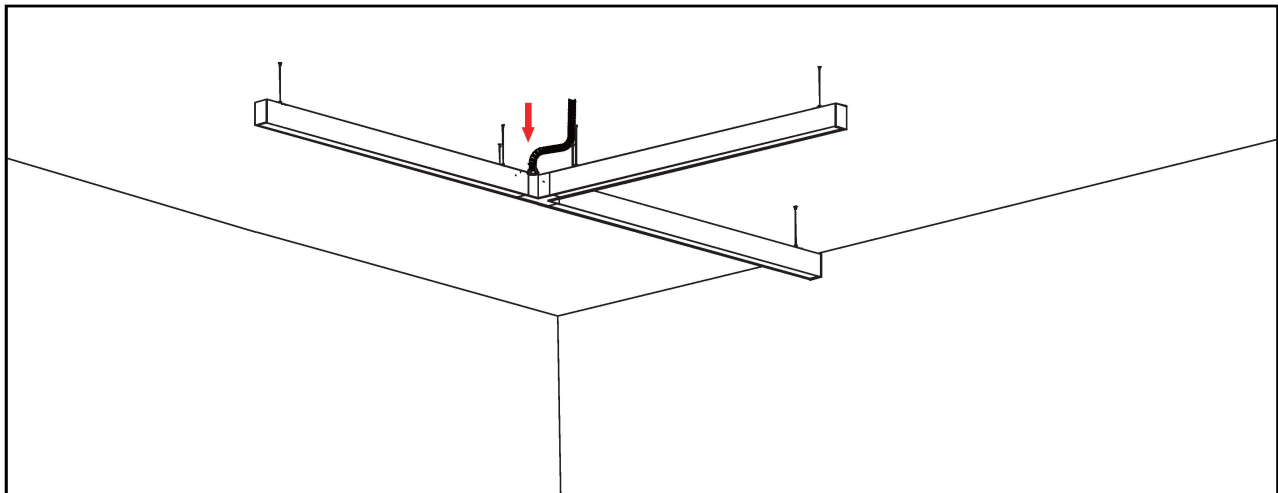
9. Screw back the cover of T-Connector, lock back the fixture upper cover, lock back the other end of fixture upper cover.



10. Wire fixtures according to wiring diagram.



11. Installation complete.

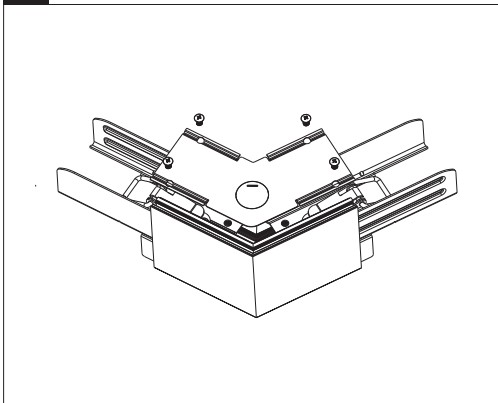


LED Architectural Strip Light

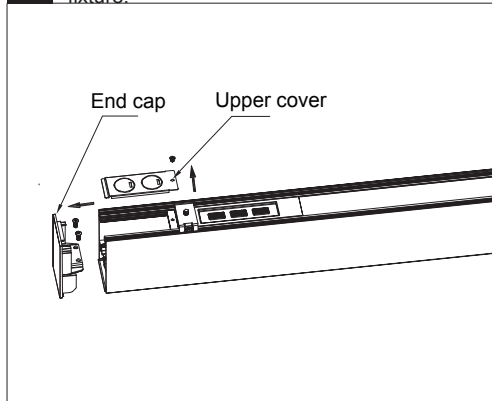
MODEL 2ALS-3CCT+W | 4ALS-3CCT+W | 8ALS-3CCT+W

V-CONN INSTALLATION

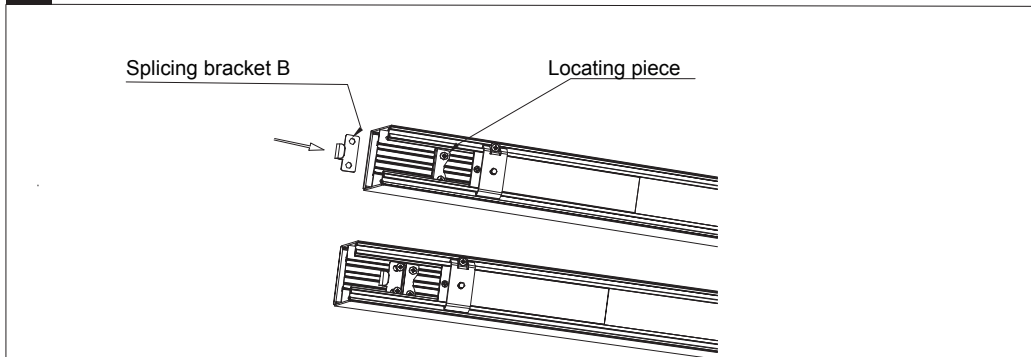
1 Remove the cover from "L" joiner.



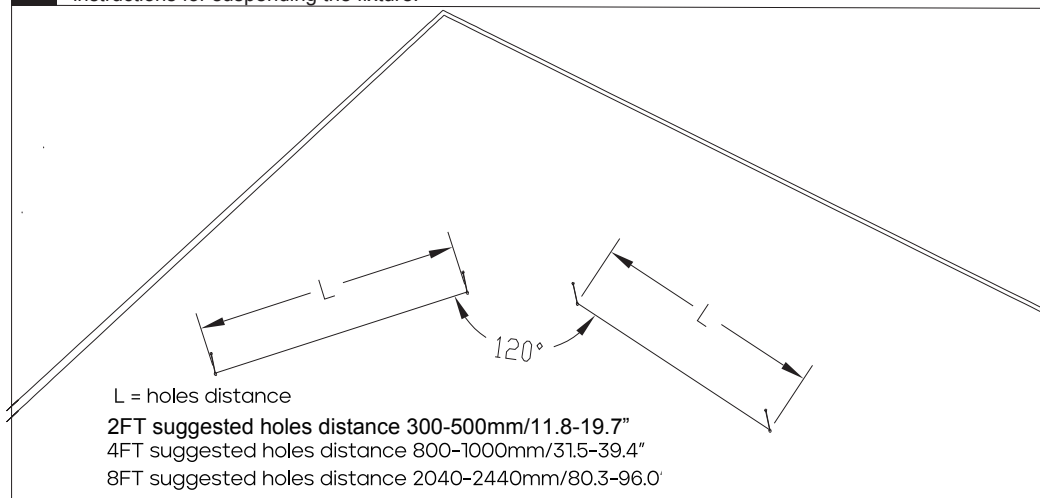
2 Remove the end cap and upper cover from fixture.



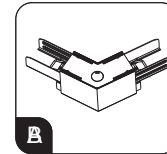
3 Slide the splicing bracket B into locating piece, then lock it with screws.



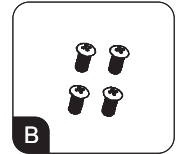
4 Make the mounting marks on the ceiling for fixtures, please refer to pendant mounting instructions for suspending the fixture.



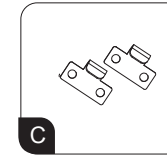
BOX CONTENTS



"V" joiner



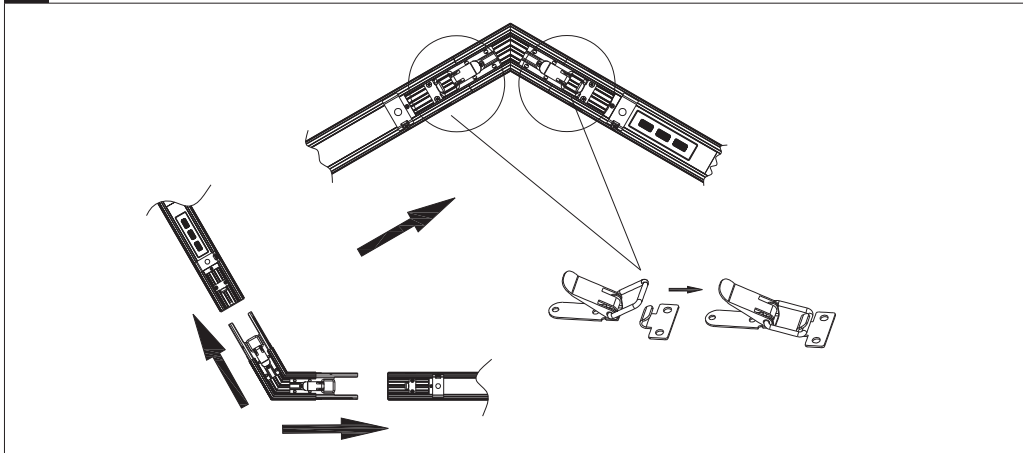
Screws



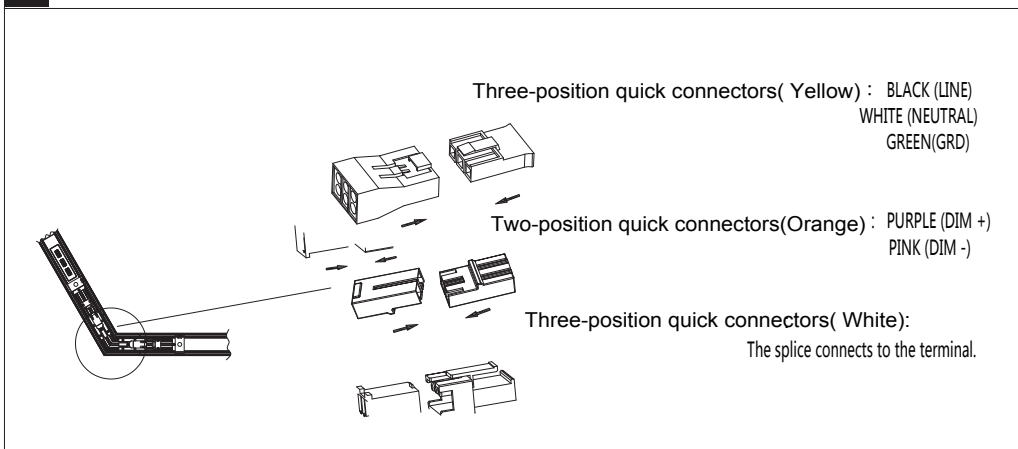
Splicing bracket B

V-CONN INSTALLATION

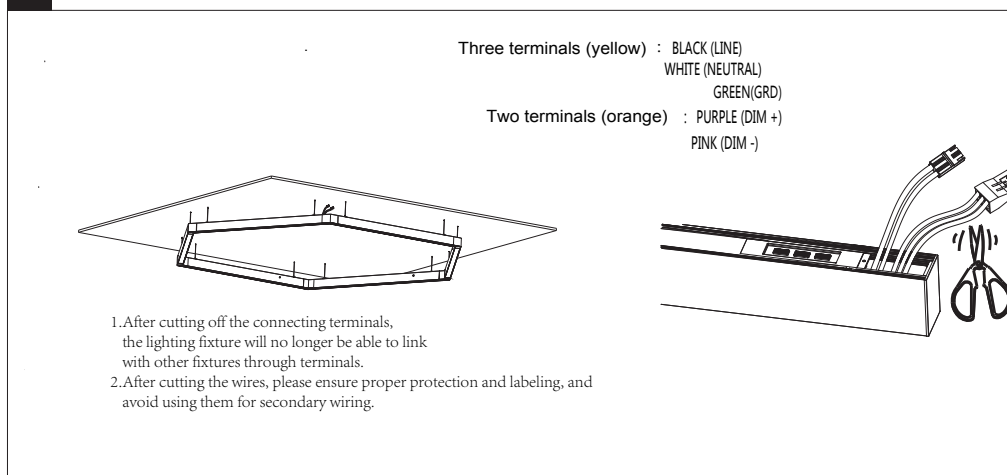
6 Insert the “L” joiner into the fixture as shown below, and pull the lock buckle to splice the fixtures.



7 Make electrical connection with male-female connectors.



8 Cut off the connectors in one end for wiring to line voltage

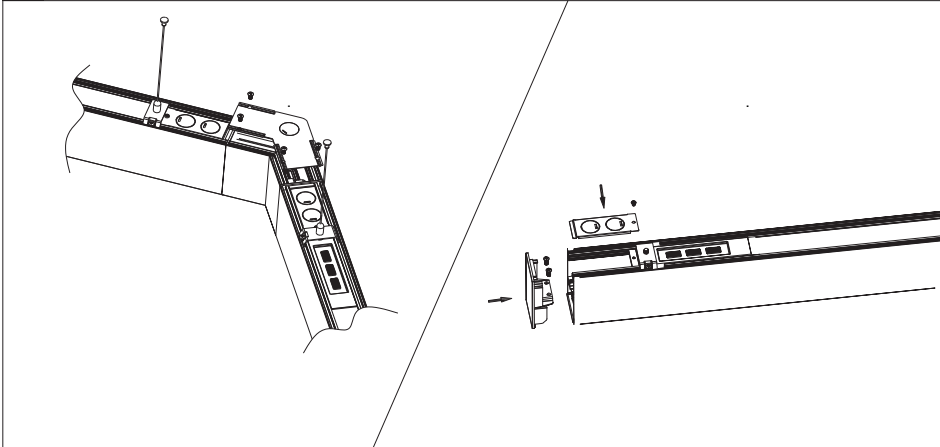


LED Architectural Strip Light

MODEL 2ALS-3CCT+W | 4ALS-3CCT+W | 8ALS-3CCT+W

V-CONN INSTALLATION

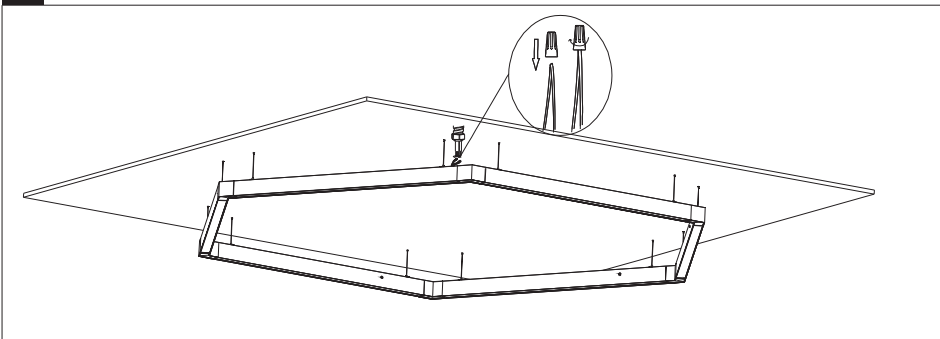
- 9 Screw back the cover of "V"joinder, lock back the fixture upper cover,
Lock back the other end of fixture upper cover



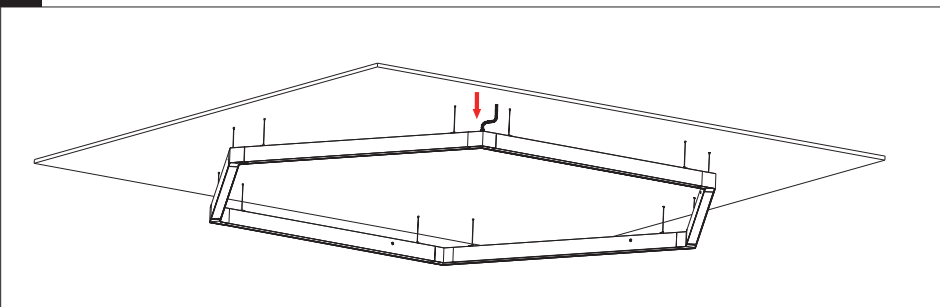
WIRING

Line Voltage	Fixture
LINE	LINE-BLACK
DREEN	GROUND-GREEN
NEUTRAL	NEUTRAL-WHITE
DIM(+)VIOLET	VIOOLET
DIM(-)PINK	PINK

- 10 Make wiring according to diagram



- 11 Installation completed.



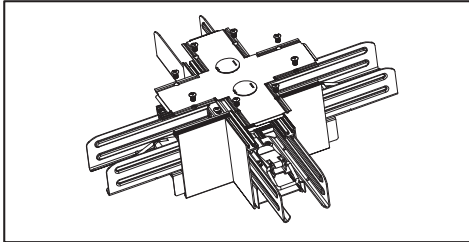
LED Architectural Strip Light

MODEL 2ALS-3CCT+W | 4ALS-3CCT+W | 8ALS-3CCT+W

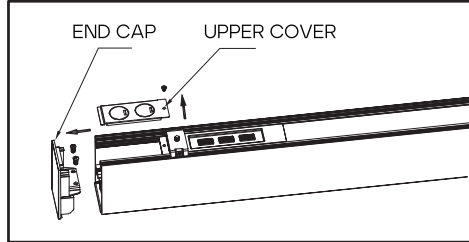
X-CONN INSTALLATION

INSTRUCTIONS

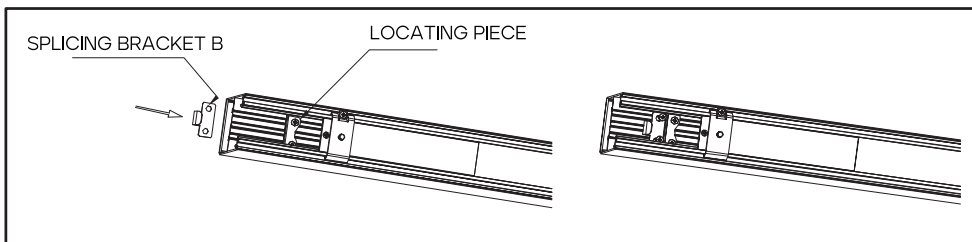
1. Remove the cover from the X-Connector.



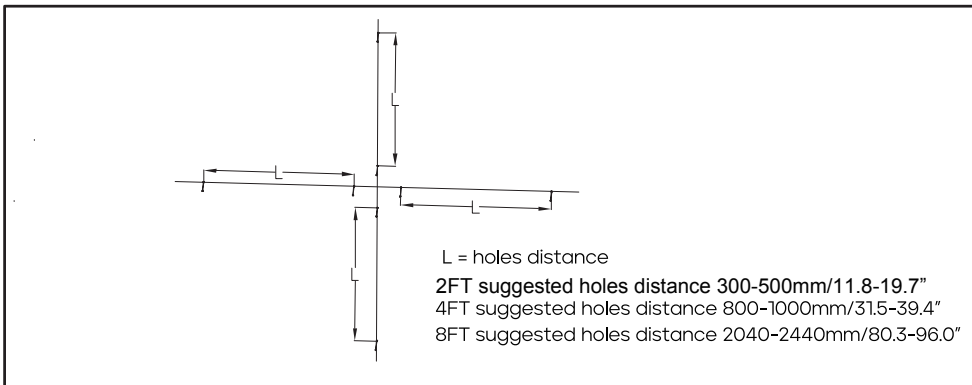
2. Remove the end cap and upper cover from fixture.



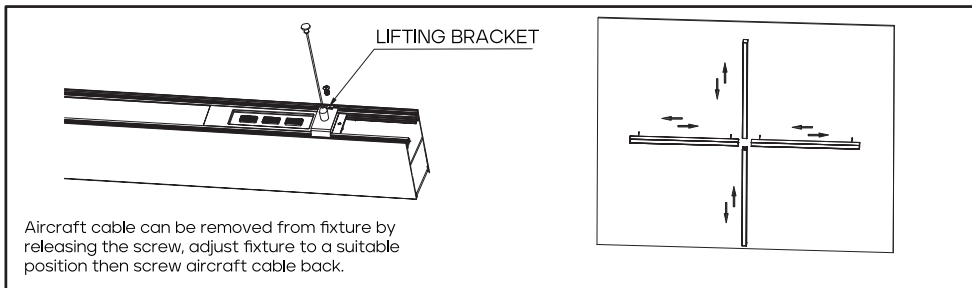
3. Slide the splicing bracket B into locating piece, then loci it with screws.



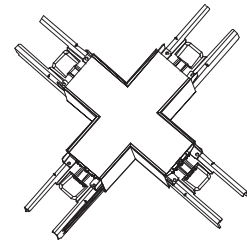
4. Make the mounting marks on the ceiling for fixtures, please refer to pendant mounting for suspending the fixture.



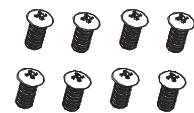
5. Adjust the lifting bracket in the fixture to a suitable position for suspending and linking.



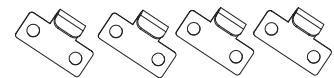
BOX CONTENTS



X-CONNECTOR



SCREWS



SPLICING BRACKET B

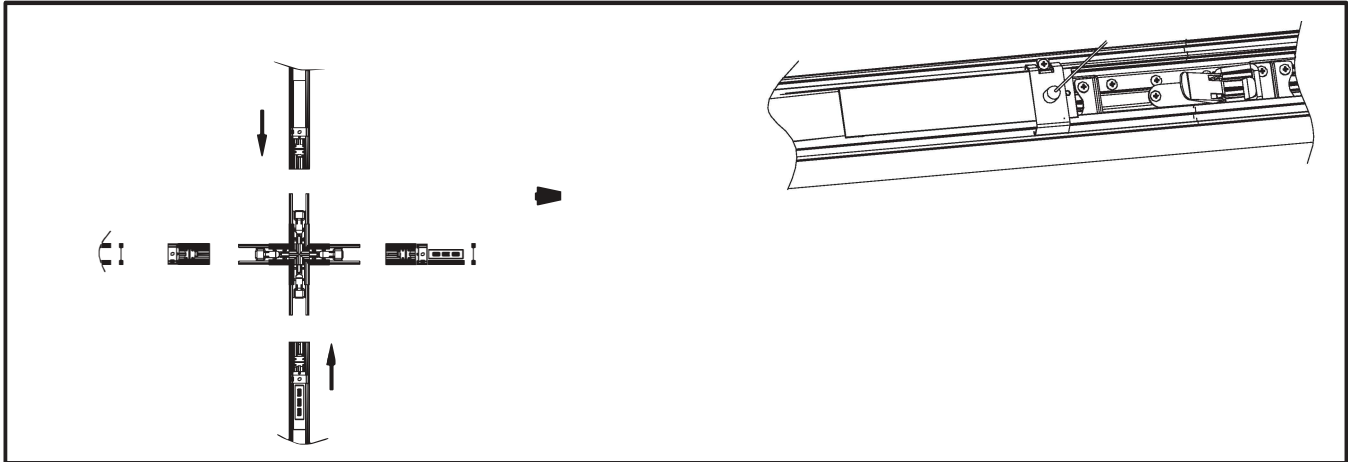
WIRING

		Fixture	
LINE	●	●	LINE-BLACK
GREEN	●	●	GROUND-GREEN
NEUTRAL	●	●	NEUTRAL-WHITE
DIM(+)-PURPLE	●	●	PURPLE
DIM(-)-PINK	●	●	PINK

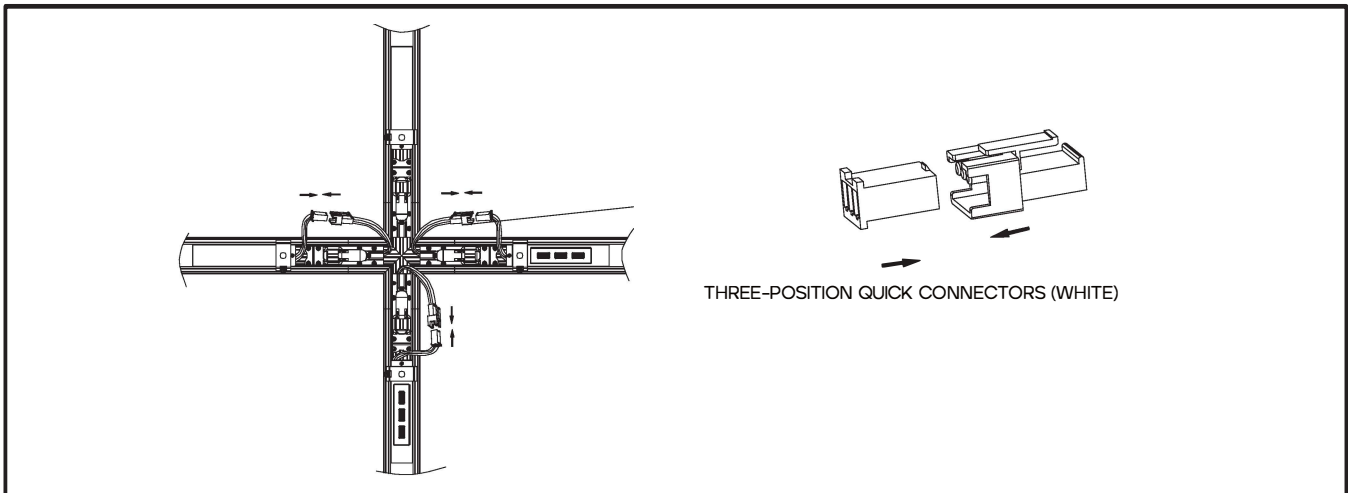
1. If dimming is not used, please separate the dimming wires with nuts.
2. Wiring must follow up the wiring diagram.
3. Remind again: Cut off the power supply before operation.

X-CONN INSTALLATION

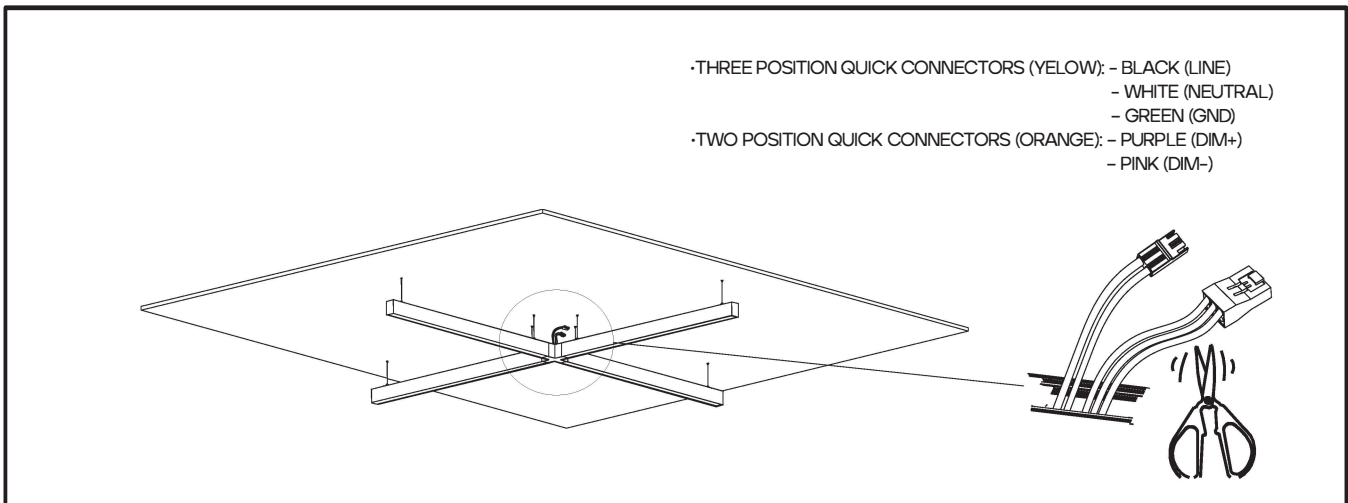
6. Insert the X-Connector into the fixtures as shown below, and pull the lock buckle to splice fixtures.



7. Make electrical connection of fixture and X-Connector with male-female connectors.

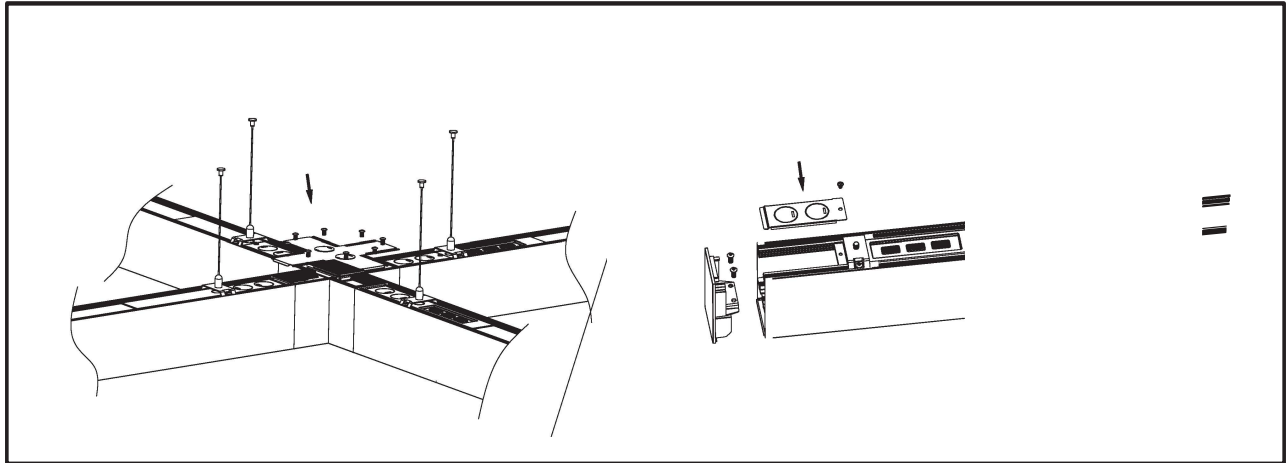


8. Cut off the connectors in one of the ends for wiring to line voltage.

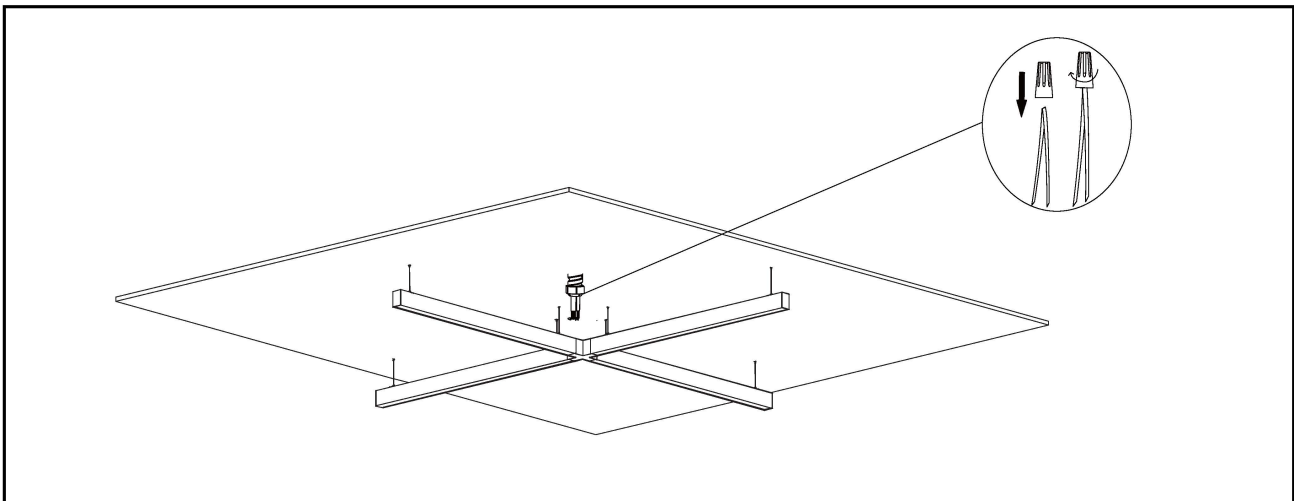


X-CONN INSTALLATION

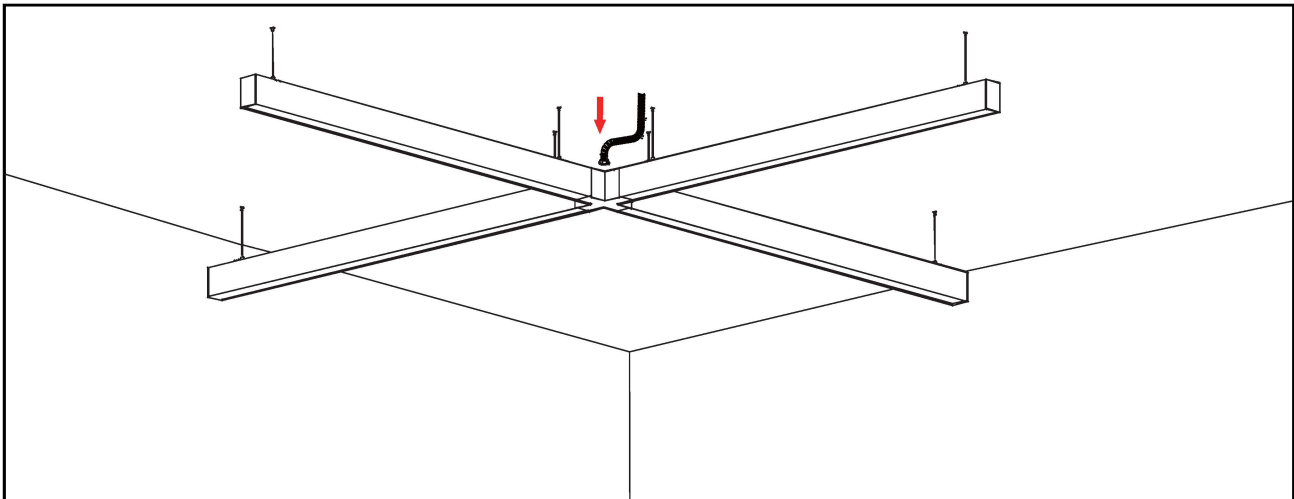
9. Screw back the cover of X-Connector, lock back the fixture upper cover, lock back the other end of fixture upper cover.



10. Wire fixtures according to wiring diagram.



11. Installation complete.



END CAP WITH SENSOR INSTALLATION

- 1** Remove the top cover and side cover from one end of the fixture .
- 2**
- 3** Loosen the screws and remove the sensor cover.
- 4** Plug the end-cap sensor module into the fixture
- 5** Connect the wires of the same color through male-female connectors or wire nuts
- 7** Lock the sensor cover and fixture top cover.
- 8** Installation completed.

BOX CONTENTS

A

Screw

B

Joint piece

C

End-cap Sensor Module

Reference	QTY.	Remarks	Project:
			Location:
			Architect:
			Engineer:
			Contractor:
			Submitted by:
			Date:

ORTECH reserves the right to modify at any time, without notice, any or all of our product's features, designs, components and specifications to meet market changes.