

Direct-to-Ceiling LED Downlight – Gimbal



PROJECT:	PRODUCT #:
TYPE:	DATE:
PREPARED BY:	AUTHORIZED BY*:
COMMENTS:	

OVERVIEW

The Direct-to-Ceiling (DtC) Gimbal LED Downlight is designed to rotate 360-degree with a max tilt angle of 30 degrees providing an adjustable light source for directional lighting to highlight architecture, walls and artwork. It offers snap-in clips for quick and easy installation and a tethered driver to eliminate the need for a mounted junction box. The DtC Gimbal LED Downlight is ideal for installation in drywall, drop or sloped ceilings.

FEATURES

- 360-degree adjustable gimbal with max tilt angle of 30-degrees directs light on specific areas such as architecture, walls and artwork.
- Simple snap-in installation is fast and easy.
- Remote driver enables installation in drywall, drop and sloped ceilings without a junction box.
- Dimmable, see recommended dimmers at Kichler.com
- 5-year warranty
- Available in two color temperatures (2700K & 3000K) to coordinate with the look and feel of the room.

SPECIFICATIONS

ELECTRICAL

Input Voltage	120Vac
Input Voltage Range	108Vac-132Vac
Input Frequency	60Hz
Power	See Data Table
Power Factor	>0.9
Surge	2.5kV ringwave
Connector	Push-in quick connects AC; Screwlock DC terminal

PHOTOMETRICS

Light Source	LED
Color Temperature(s)	2700K/3000K
Color Rendering Index (CRI)	>90, R9>50
Dimmable	Yes
Lumen Packages	See Data Table
Lumens Per Watt (LPW)	>60LPW

RATINGS & CERTIFICATIONS

Safety Rating	Damp
Installation Requirements	Damp Indoor Covered Ceiling; Damp Outdoor Covered Ceiling (Not for coastal environments)
Operating Ambient Temperature	0-40°C
Lumen Maintenance	L70 at 50,000 Hrs
Safety Certification	cETLus
Energy Star	Yes
T24	Yes
FCC	CFR 47, FCC Part 15, Subpart B:2017

MECHANICAL

Dimensions	See Dimension Table
IP Rating	IP-40

MOUNTING

Direct to ceiling via spring clips

OPTICS

TIR

WARRANTY

5 Year

ACCESSORIES

See Accessories

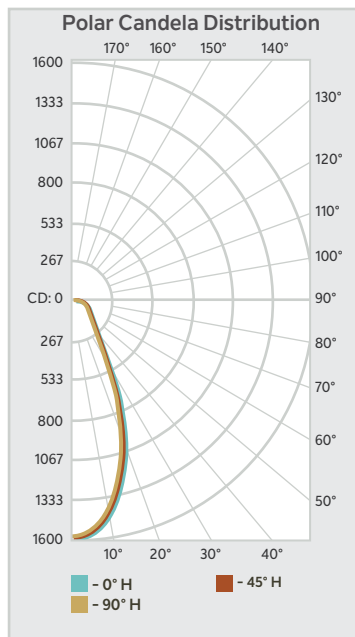
Direct-to-Ceiling LED Downlight – Gimbal

LUMEN Data Table – Gimbal

Shape	Size (Inches)	Watts	Lumens	
			2700K	3000K
Round	4	12W	700	
	6	15W	900	

Photometric Diagrams

DLGM06R3090WHT



	Illuminance at a Distance	
	Center Beam fc	Beam Width
1.3 ft	942 fc	1.0 ft 1.0 ft
2.7 ft	218 fc	2.1 ft 2.1 ft
4.0 ft	99.6 fc	3.1 ft 3.1 ft
5.3 ft	56.7 fc	4.2 ft 4.1 ft
6.7 ft	35.5 fc	5.3 ft 5.2 ft
8.0 ft	24.9 fc	6.3 ft 6.2 ft

Vert. Spread: 42.9°
Horiz. Spread: 42.7°

DtC Gimbal Ordering Matrix

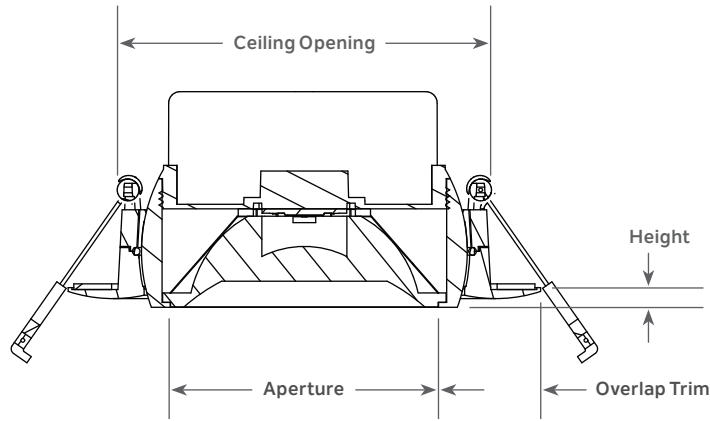
Family	Type	Size		Shape		CCT		CRI	Finish
DL Downlight	GM Gimbal	04	4 inch	R	Round	27 30	2700K 3000K	90 90 CRI	WHT Textured White
		06	6 inch	R	Round	27 30	2700K 3000K		

To form a complete product number, combine:

Family + Type + Size + Shape + CCT + CRI + Finish = **DL GM 06 R 30 90 WHT**

A 2" Mini Gimbal is also available. See items DLMG02R2790WHT or DLMG02R3090WHT for complete specifications.

Direct-to-Ceiling LED Downlight – Gimbal



Dimension Table

	Aperture (in/mm)	Ceiling Opening (in/mm)	Overlap Trim (in/mm)	Height (in/mm)
4" Round	2.8 / 71	4.25 / 107.9	1.06 / 27	0.205 / 5.2
6" Round	3.43 / 87	6.25 / 158.7	1.73 / 44	0.314 / 7.9

ACCESSORIES

Additional Accessories (or Components)

Goof Rings	Use With	Rough-In Plate	Use With	Extension Cable (use for all)	Size
DLGR05WH	4" Round	DLRP02ST	4" Round	DLE06WH	6'
DLGR07WH	6" Round		6" Round	DLE10WH	10'
				DLE20WH	20'