

Project Name:	Type:
Part Number:	Date:



# INNOFIT 6" COMMERCIAL DOWNLIGHT

## SPECIFICATION FEATURES

- **Mechanical** - INNOFIT, with integrated driver, retrofits existing commercial housings and is field accessible from below the ceiling. Stainless steel spring action clips accommodate 1/2" to 2" ceiling thicknesses.
- **Electrical** - Field select from three lumen outputs using SelectDrive technology. Universal 120-277V, 50/60 Hz drivers. Non-dimmable.
- **Optical** - Self flanged, spun aluminum reflector in matte white finish. High resistance polycarbonate optical lens, with smooth diffusion. 90° beam angle. High end white finish polycarbonate baffle trim for pleasant aesthetic. Available in 2700K, 3000K, 3500K or 4000K, with Minimum 80CRI.
- **Thermal** - Die cast heat sink maximizes passive thermal management and achieves a L70 rated lifetime of 40,000 hours. Fixture Operating Temperature: -13°F to 95°F (-25°C to 35°C)
- **Compliance and Warranty** - cULus Listed and Classified for damp locations. Not for use where directly exposed to weather or water. IC Rated for direct contact with insulation. 5 year parts warranty for complete fixture.



## BENEFITS

- Field select lumen output with SelectDrive
- Quick and easy installation with spring action clips
- Universal housing compatibility
- Universal 120-277V, 50/60 Hz drivers
- Available in 2700K, 3000K, 3500K & 4000K CCT

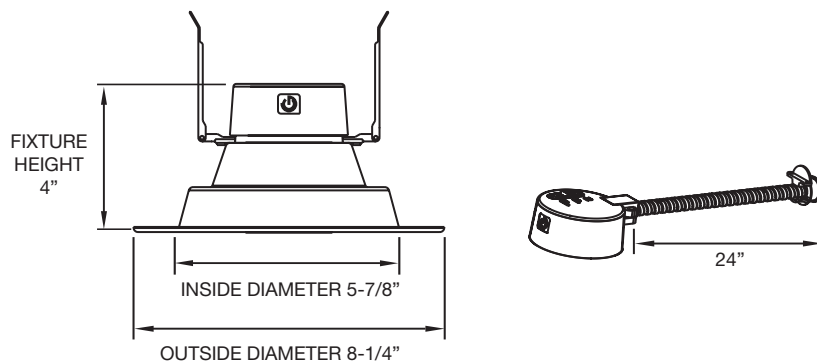
## APPLICATIONS

- Commercial
- Educational
- Retail
- Hospitality

## ORDERING INFORMATION

Series	Size	CRI	CCT	Dimming
<input checked="" type="checkbox"/> <b>21CDLA</b> Commercial Downlight 21W Adjustable	<input checked="" type="checkbox"/> <b>6</b> 6"	<input checked="" type="checkbox"/> <b>8</b> CRI 80	<input type="checkbox"/> <b>27</b> 2700K	<input checked="" type="checkbox"/> <b>277V / R</b> 120-277V Non-Dimmable
			<input type="checkbox"/> <b>30</b> 3000K	
			<input type="checkbox"/> <b>35</b> 3500K	
			<input type="checkbox"/> <b>40</b> 4000K	

## LINE DRAWINGS



Ceiling Cutout	
Minimum	Maximum
Ø6"	Ø7-7/16"

New Construction Frame Ceiling Cutout	
Minimum	Maximum
Ø6-1/2"	Ø7-1/4"



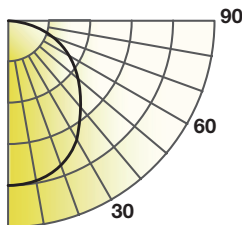
# INNOFIT 6" COMMERCIAL DOWNLIGHT

## TECHNICAL INFORMATION

Dimming	Input Voltage	Input Frequency	Input Current	Input Power	THD Power	Power Factor
Non Dimmable	120-277V	50 / 60Hz	0.18 / 0.115 / 0.075A	8.5 / 13.5 / 21W	<20%	>0.9

## PHOTOMETRY

21CDLA6/835/277V/R (HIGH LUMEN OUTPUT SETTING)



Lumens: 1661 lm  
 Power: 20 W  
 Efficacy: 83 lm/W  
 CRI: 80+  
 Spacing Criteria: 1.22  
 Beam Angle: 106°

Candlepower Distribution	
Angle (°)	Average (cd)
0	663
5	661
15	636
25	581
35	509
45	422
55	309
65	185
75	62
85	9
90	0

Initial Footcandles		
Height (ft)	Fc	Diameter (ft)
8	15	15
9	12	17
10	10	19
12	7	23
15	4	29

Zonal Lumen Summary		
Zone	Lumens	%Fixture
0-30	506	31
0-40	822	49
0-60	1,408	85
0-90	1,661	100

Lumen Output Coefficient				
CCT	2700K	3000K	3500K	4000K
Low Lumen output	0.42	0.45	0.45	0.47
Med Lumen output	0.59	0.62	0.63	0.65
High Lumen output	0.94	0.99	1.00	1.04

## PERFORMANCE

21CDLA6/8xx/277V/R

CCT	2700K			3000K			3500K			4000K		
	Low	Med	High	Low	Med	High	Low	Med	High	Low	Med	High
Output												
Lumens	702	982	1,559	739	1,035	1,643	747	1,046	1,661	777	1,087	1,726
LPW	83	73	74	87	77	82	88	78	79	91	81	82



# INNOFIT 6" COMMERCIAL DOWNLIGHT

ACCESSORY ORDERING INFORMATION				
Product	Model	Description	Pictures	Dimensions
58012	35EMINVERTER	35W Emergency Inverter (Field Installation)		
58013	35EMINVERTER/CEC	California Title 20 Compliant 35W Emergency Inverter (Field Installation)		
98568	GOOFRING6	6" Goof Ring - Outer Diameter 10-1/2"		
35122	NCFJB6	New construction frame for T-Grid ceilings and stud/joist mounting		
35126	NCFBFB	Field Installable Butterfly Brackets For New Construction Frame		
35125	NCFEMB	Field Installable Emergency Bracket For New Construction Frame		
98501	NCPLATE/T4689	New Construction Plate for T-Grid ceilings		
98502	NCPLATE468	New Construction Plate for Stud/Joist ceilings		
98583	NCPLATEJB	Junction box for New Construction Plates		
98003	23EMDRIVER	California Title 20 Compliant 23W Emergency LED Driver (Field Installation)		