



INSTALLATION INSTRUCTIONS
MLINK-24-RGBTW-XX



⚠ WARNING

These products may represent a possible shock or fire hazard if improperly installed or attached in any way. Products should be installed in accordance with these instructions, current electrical codes, and/or the current National Electric Code (NEC).

⚠ WARNING

To avoid electrical shock, disconnect or disable power at the source prior to installation or maintenance.

⚠ WARNING

To avoid electrical shock, USE ONLY WITH CLASS 2 POWER UNIT. Use a 24V DC plug-in power supply or a 24V DC hardwire power supply. Factory warranty will be void if used with a non-recommended power supply, transformer, or driver.

⚠ WARNING

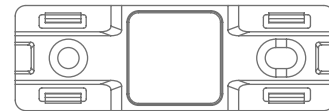
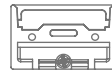
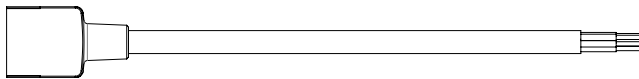
The National Electrical Code (NEC) does not permit cords to be concealed where damage to insulation may go unnoticed. To prevent fire danger, do not run cord behind walls, ceilings, soffits, or cabinets where it may be inaccessible for examination. Cords should be visually examined periodically and immediately replaced when any damage is noted.

SAFETY INFORMATION

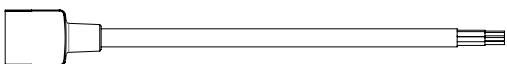
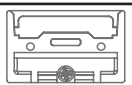
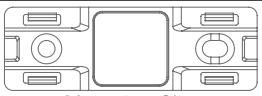
- Read all instructions before beginning; Save these instructions for future use.
- To reduce the risk of fire, electric shock, or injury to persons, pay close attention to this manual and stay within its guidelines when using this product.
- This fixture is intended for indoor use in dry locations only. Do not use in the vicinity of standing water or liquids. Do not submerge in water or liquids.
- **WARNING:** Not intended for wet locations. Indoor, dry locations only.
- Do not use if there is any damage to the unit or power cord's insulation. Inspect periodically.
- Do not route cords or units through walls, doors, windows or any similar part of a building structure.
- Secure units using clips or 3M® Tape Strips. Do not secure unit or its power cord with staples, nails, or any other sharp objects that may damage fixture.
- To maintain product integrity: do not bend, step on, or subject to pressure or flexing. Do not mount on uneven surfaces.
- **Risk of shock or fire hazard:** This fixture utilizes a constant voltage design and has a maximum run length of 16.4 ft (or 5 meters). Do not exceed maximum run length in any connection series. Do not exceed capacity of power driver used.
- **Risk of shock or fire hazard:** This LED product is designed to be used with a regulated 24V DC power supply only. Do not use a 24V AC transformer because that will result in an "AC flicker" and overdriving of the LEDs due to the alternating current and non-regulated output.
- **Risk of shock or fire hazard:** Be sure to select a driver with a wattage capacity that can handle the total load, noting the following wattage for each size: MLINK-24-RGBTW-6 = 3.5 watts, MLINK-24-RGBTW-12 = 7 watts, MLINK-24-RGBTW-24 = 14 watts and MLINK-24-RGBTW-36 = 21 watts. Ideally, only load drivers up to 90% of the total capacity to maximize driver life. If loaded above 90%, allow 12" clearance above and around the driver

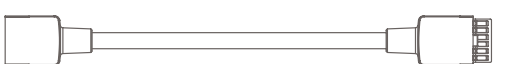

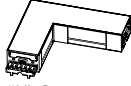
PRODUCT INFORMATION:

Each length of MicroLink RGBTW (6", 12", 24", or 36") includes (1) power connection with bare wire lead, (1) end cap, and mounting clips with screws.



Additional connections are sold separately as follows:

MLINK-24-RGBTW-CONKIT		Connector Kit
MLINK-24-RGBTW-END		End Cap
MLINK-24-RGBTW-CLIP		Mounting Clip

MLINK-24-RGBTW-JUMP6		6" Jumper Cable
MLINK-24-RGBTW-JUMP12		12" Jumper Cable
MLINK-24-RGBTW-LT		"L" Connector

PRIOR TO INSTALLATION:

Determine the location of installation and lengths of MicroLink RGBTW that will be needed. Determine what power and connection accessories you will be utilizing. If an intersection is involved, plan ahead by starting the layout there. Do not exceed the max run length of 16.4 ft (or 5 meters). Remove the clear plastic wrap from each fixture prior to installation. Not intended for wet locations. Do not install within 15 ft of a swimming pool surface or other bodies of water.



INSTALLATION INSTRUCTIONS

MLINK-24-RGBTW-XX



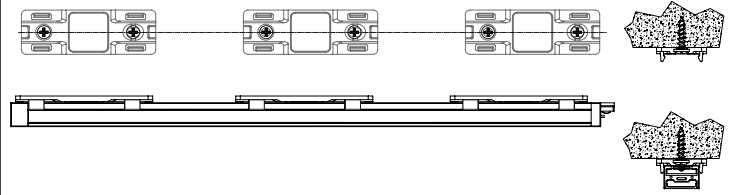
MOUNTING MICROLINK RGBTW (Figure 1):

Mounting Clip Installation (See Figure 1)

1. Position clips and mark the location of each mounting clip in a straight line so that the fixture can snap into each clip.
2. Using provided screws, install mounting clips on the line, taking into account the lengths of each fixture being used.
3. Clip/snap the groove sides of the Microlink RGBTW into clips.

Note: Begin with first fixture of run attached to surface and add additional fixtures to the run one at a time.

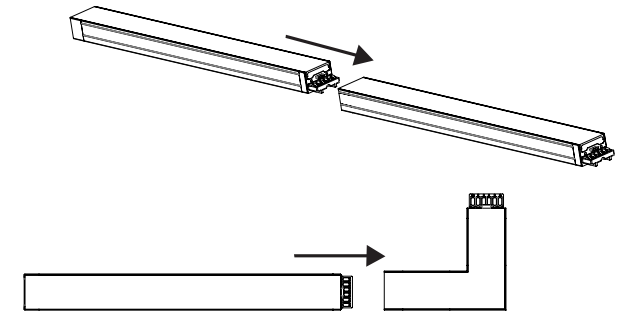
FIGURE 1



LINKING MICROLINK RGBTW (Figure 2):

1. To link fixtures, align the slide-and-click connectors and slide fixtures together until fixtures snap together with a click.
2. Terminate runs with the provided end cap.

FIGURE 2

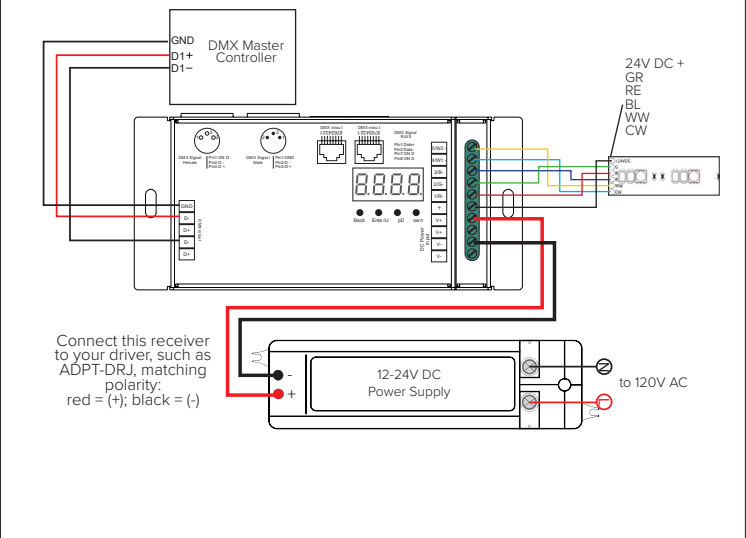


WIRING AND POWERING MICROLINK (Figure 3):

Disconnect power from source prior to attempting installation. Make all connections and mount in place prior to providing power to system.

1. Ensure all parts and pieces have been correctly linked and mounted. The first fixture in a run should have a power connection with female DC lead attached and the last fixture in a run should have an end cap attached.
2. Connect the first segment of Microlink RGBTW to the REC-DMX, ensuring to match each wire to the appropriate terminal (black to +, red to red, green to green, etc).
3. Wire the controller to an appropriate LED driver, ensuring to match polarity (Red +, Black -).
4. Bring 100-277V power to the direct wire power supply, ensuring to match polarity (Red +, Black -).
5. For hardwire drivers (such as the ADPT-DRJ series), use a 2-wire DC adapter (DC-HW) to affix a male DC connection to the driver. Connect power cord from Microlink to 24V DC power supply by connecting DC connectors. Provide line voltage power to the driver by wiring according to driver instructions.
6. For plug-in drivers (such as the PS-Series), connect power cord to 24V DC power supply by connecting DC connectors. Provide line voltage power to the driver by plugging in to a standard wall socket.

FIGURE 3



Note: Recommended power supplies include PS-Series Plug-in Drivers and ADPT-DRJ power supplies. See "Power Supplies" at www.americanlighting.com for details.

CARE AND MAINTENANCE:

To control Microlink RGBTW fixtures, most DMX controllers or DMX-powered smart control systems give users dimming control and color choice.

CARE AND MAINTENANCE:

1. For cleaning, use a soft, dry or damp cloth. Do not use harsh chemicals or abrasives.