

Model No :: **20010MG-BL/RFR**
 Name :: Bermuda



Project Name :: _____
 Location :: _____
 Type :: _____
 Quantity :: _____
 Notes :: _____

Product Information

Product ID :: 20010
 UPC Code :: 6.41594E+11
 Mounting Type :: Wall
 Finish :: Black
 Diffuser :: Ribbed Frosted
 Alt. Finishes :: Black (BL); Bronze (BRZ); Satin (SAT);
 White (WH); White (WHT)
 Alt. Diffusers :: Ribbed Frosted (RFR)

Product Dimensions

Fixture	Canopy
Length ::	Length :: 4.75
Width :: 7	Width :: 4.75
Diameter ::	Diameter ::
Extension :: 5	Height :: 0.5
Height :: 10.5	
Overall Height ::	



Technical Specifications

Qualifications

Location Rating :: Wet
 Certification :: UL Listed (US/Canada)
 IES File ::
 JA8 Compliant :: No
 Energy Star :: No
 ADA Compliant :: No
 Marine Grade :: Yes
 Emergency Lighting :: No
 Warranty :: 3 Year Limited

Specifications

Frame Material :: Aluminum
 Diffuser Material :: Glass
 Voltage :: 120v
 Lamping Type :: A-19 (INC)
 Lamping Base :: E-26
 Lamp Quantity :: 1
 Lamp Wattage :: 60 W
 Total Wattage :: 60 W
 Lamps Included :: No
 J-Box Type :: Standard

Photometrics

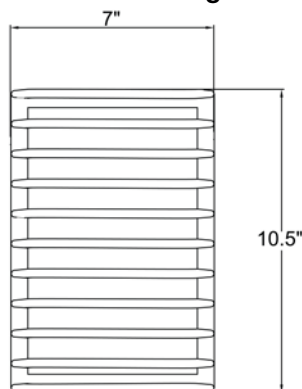
CCT :: 0
 CRI :: 0
 Wattage :: 60 W
 Nominal Lumens :: 0
 Delivered Lumens :: 0

Recommended Dimmers

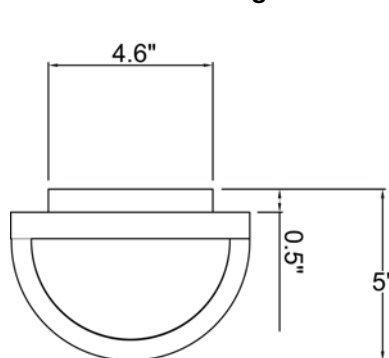
(TRIAC) Any Standard Dimmer

Additional Items :: 0

Line Drawing #1



Line Drawing #2



IES File

Image Not Available

Toll Free 800-828-5483 • www.AccessLighting.com

14410 Myford Road, Irvine, CA 92606

The information provided is subject to change without notice. ©2020 Access Lighting Corporation. All Rights Reserved
 Rev. 202105 Filename: 20010MG-BL_RFR.pdf

